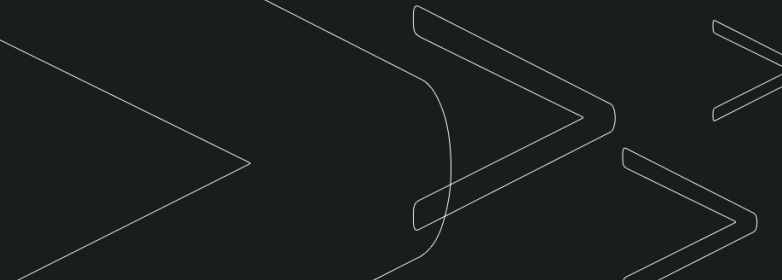


Exploring efficient visualization of big data using R shiny application

Marlen Martinez-Lopez

Advisor: Dr. Daehee Kim

McNair Scholars Program



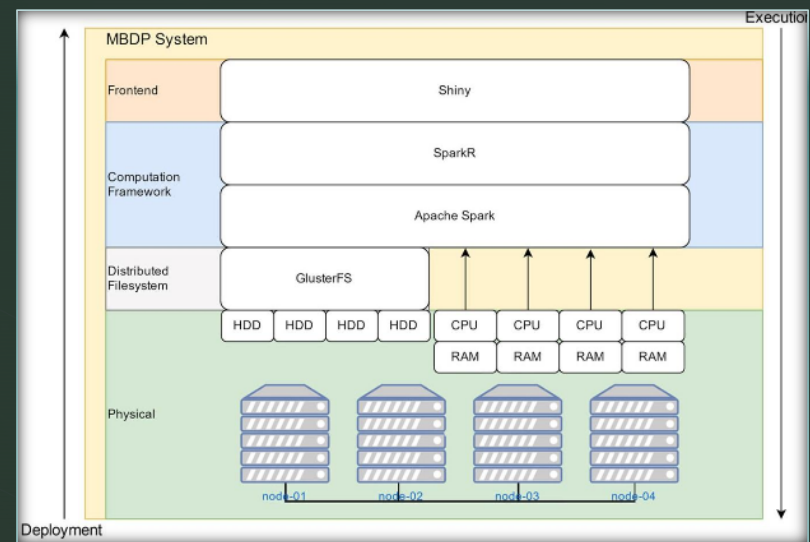
Introduction/Background

- What is big data?
 - Processing high volumes of complex data
- What is Rstudio?
- What is shiny?



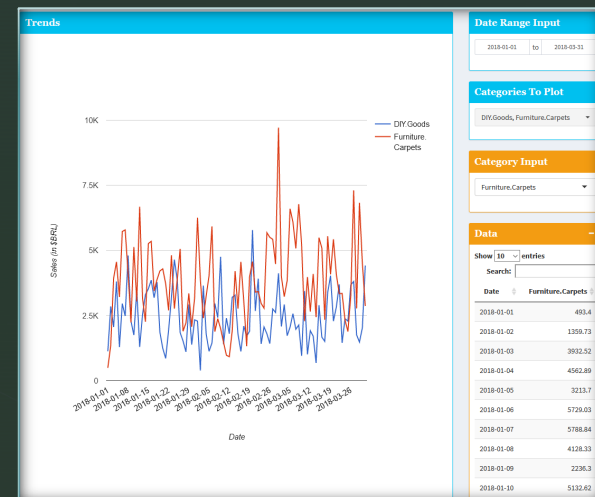
Methods

- Collecting data from past research papers involving e-commerce datasets
- Possibly collecting data from other sources. (Amazon etc)
- In the Architecture Layer Diagram, the highest layer is the R Shiny Application layer, where the end-user Web Application is located.



Expected Results & Conclusion

- The end result is then processed by R Shiny, a powerful package that generates simple, but functional and efficient Web Applications with results displayed both as tables and various charts.
- There are many necessary layers required for processing,
- create an efficient web application with R shiny. Our research is aimed at optimizing layers to provide a more efficient performance with fewer runtime for e-commerce datasets.





Q & A

- Thank you for watching! 😊
- Questions?
- Marlen Martinez

Email: mmartinezlopez@csustan.edu

- Advisor: Dr. Daehee Kim

Email: dkim10@csustan.edu